

EC-TYPE EXAMINATION CERTIFICATE

- (1) Equipment or protective system intended for use in potentially explosive atmospheres - Directive 94/9/EC
- (2) EC-Type Examination Certificate Number: **KEMA 01ATEX2257**
- (3) Equipment or protective system: **Control unit Type EJB**
- (4) Manufacturer: **CO.SI.ME. S.R.L.**
- (5) Address: **Via Asiago, 51, 20128 Milan, Italy**
- (6) This equipment or protective system and any acceptable variation thereto is specified in the schedule to this certificate and the documents therein referred to.
- (7) KEMA Quality B.V., notified body number 0344 in accordance with Article 9 of the Council Directive 94/9/EC of 23 March 1994, certifies that this equipment or protective system has been found to comply with the Essential Health and Safety Requirements relating to the design and construction of equipment and protective systems intended for use in potentially explosive atmospheres given in Annex II to the directive.
- (8) The examination and test results are recorded in confidential report no. 2015912.
- (9) Compliance with the Essential Health and Safety Requirements has been assured by compliance with:
 - EN 50014 : 1997**
 - EN 50018 : 2000**
 - EN 50281-1-1 : 1998**
- (10) If the sign "X" is placed after the certificate number, it indicates that the equipment or protective system is subject to special conditions for safe use specified in the schedule to this certificate.
- (11) This EC-Type Examination Certificate relates only to the design, examination and tests of the specified equipment or protective system according to the Directive 94/9/EC. Further requirements of the directive apply to the manufacturing process and supply of this equipment or protective system. These are not covered by this certificate.
- (12) The marking of the equipment or protective system shall include the following:

II 2 G
II 2 GD
II 2 (1) G
II 2 (1) GD

EEx d... IIB T4... T6
T 80 °C ... T 130°C

Amhem, 11 March 2003
KEMA Quality B.V.

T. Plijpker
 Certification Manager

* This Certificate may only be reproduced in its entirety and without any change



KEMA Quality B.V.
Utrechtseweg 310, 6812 AR Arnhem, The Netherlands
P.O. Box 5185, 6802 ED Arnhem, The Netherlands
Telephone +31 26 3 56 20 08, Telefax +31 26 3 52 58 00

ACCREDITED BY THE
DUTCH COUNCIL FOR
ACCREDITATION

(13)

(14)

(15)

Description

The Control unit type EJB consists of an enclosure in type of explosion protection flameproof enclosure "d", in which the electrical and mechanical apparatus is mounted. The electrical connection is made by using cable glands or bushings. Separately certified electrical and mechanical apparatus can be installed in the enclosure, according to the technical details laid down in the test documentation.

Degree of ingress protection: IP 66 according to EN 60529
Operating temperature: -50 °C ... +60 °C

The enclosure type, the maximum current, the allowed power dissipation, the maximum ambient temperature, the temperature class and the maximum surface temperature "T" is to be taken from the following tables:

Enclosure Type	Max. current (A)	Max. power dissipation (W)	Max. ambient temperature 40 °C	
			Temperature class / max. surface temperature	Temperature class / max. surface temperature
EJB 544..	63	45	T5 / 95 °C	T4 / 130 °C
EJB 755..	160	75	T5 / 95 °C	T4 / 130 °C
EJB 1076..	250	100	T5 / 95 °C	T4 / 130 °C
EJB 1254..	200	90	T5 / 95 °C	T4 / 130 °C
EJB 1286..	300	130	T5 / 95 °C	T4 / 130 °C
EJB 2886	500	260	T5 / 95 °C	T4 / 130 °C
EJB 14107..	450	180	T5 / 95 °C	T4 / 130 °C
EJB 17129..	630	290	T5 / 95 °C	T4 / 130 °C
EJB 17129B..	630	250	T5 / 95 °C	T4 / 130 °C
EJB 221410	800	410	T5 / 95 °C	T4 / 130 °C

Enclosure Type	Max. current (A)	Max. power Dissipation (W)	Max. ambient temperature 40 °C	
			Temperature class / max. surface temperature	Temperature class / max. surface temperature
EJB 544..	63	20	T6 / 85 °C	T5 / 95 °C
EJB 755..	160	30	T6 / 85 °C	T5 / 95 °C
EJB 1076..	250	45	T6 / 85 °C	T5 / 95 °C
EJB 1254..	200	40	T6 / 85 °C	T5 / 95 °C
EJB 1286..	300	60	T6 / 85 °C	T5 / 95 °C
EJB 2886	500	125	T6 / 85 °C	T5 / 95 °C
EJB 14107..	450	85	T6 / 85 °C	T5 / 95 °C
EJB 17129..	630	140	T6 / 85 °C	T5 / 95 °C
EJB 17129B..	630	120	T6 / 85 °C	T5 / 95 °C
EJB 221410	800	200	T6 / 85 °C	T5 / 95 °C

SCHEDULE

to EC-Type Examination Certificate KEMA 01ATEX2257

SCHEDULE

to EC-Type Examination Certificate KEMA 01ATEX2257

Type of explosion protection

The apparatus marking is completed by using the codes "e", "m", "[ia]", "[ib]", as applicable, depending on the built-in apparatus and components.

Temperature class

The temperature class of the control unit T4...T6 is based on the power dissipation of the apparatus and components mounted in the flameproof enclosure. The lowest temperature class is normative. The maximum surface temperature according to EN 50281-1-1 is related to the temperature class of the control unit.

Electrical data

The data are dependent on the built-in apparatus and the cable entries are to be taken from the applicable certificates and manufacturers data.

Rated voltage: max. 11 kV
 Rated current: max. 1250 A
 Nominal conductor cross section max. 300 mm²

Routine tests

Each enclosure shall be submitted to an overpressure test according to EN 50018, clause 16 using the following test pressures:

- 13 bar during 1 minute in case the lower ambient temperature is -20 °C,
- 18 bar during 1 minute in case the lower ambient temperature is -50 °C.

(16) **Report**

KEMA No. 2015912

(17) **Special conditions for safe use**

None

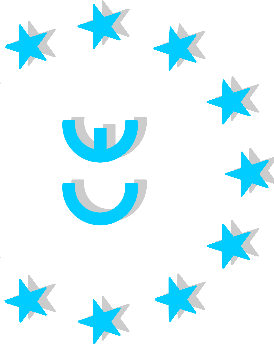
(18) **Essential Health and Safety Requirements**

Covered by the standards listed at (9).

(19) **Test documentation**

1. EC-Type Examination Certificate KEMA 01ATEX2257 U
dated 31.05.2000
2. Technical Note AC10007TN (4 pages)
31.05.2000
3. Installation and maintenance instructions
IU-EJB (2 pages)
31.05.2000
4. Drawing No. AC10007
31.05.2000

Dichiarazione CE di conformità EC Declaration of conformity



Noi
 We

CO.SI.ME. Srl
 Via Asiago, 51
 20128 Milan
 ITALY

Dichiariamo sotto la nostra esclusiva responsabilità che i prodotti :
 Declare under our sole responsibility that the products :

Apparecchi tipo **EJB** ...
 Apparatuses type **EJB** ...

ai quali questo attestato si riferisce sono conformi a :

- Direttiva ATEX 94/9/CE : apparecchi e sistemi di protezione destinati ad essere utilizzati in atmosfera potenzialmente esplosiva.
- Direttiva 89/336/CE : compatibilità elettromagnetica
- to which this attestation relates are in conformity with :
- Directive ATEX 94/9/EC : equipment and protective systems intended for use in potentially explosive atmospheres.
- Directive 89/336/EC : Electromagnetic compatibility

e sono costruiti in accordo alle seguenti Norme :
 and they are manufactured in conformity with the following Standards :

EN 50014 : 1997
 EN 50018 : 2000
 (EN 50020 : 1994)
 (EN 50281-1-1 : 1998)
 (EN 60529 : 1991)

Certificato di esame del prodotto :
 Examination certificate of the product :

KEMA 01 ATEX 2257

Nome dell' Organismo incaricato della sorveglianza ai fini della qualità : **CESI**
 Name of Body involved in the production quality system surveillance :


N° dell' Organismo notificato
 N° of the notified Body
0722

Milano, 11 march 2003
 (luogo e data)
 (place and date of issue)

Ing. Massimo Tonetti
 (nome e firma o timbratura equivalente della persona autorizzata)
 (name and signature or equivalent marking of authorised person)

Documento / Document			IU-EJB			
N° Pagine / Sheet N°			1	di / of		2
REV	0	1	2	3	4	
DATA	31/05/00					
EXE by	M.T.					
CHK by	F.C.					
APP by	M.T.					

Custodie tipo EJB con apparecchi
Enclosures type EJB with apparatus

Assistenza tecnica – Technical support
 +39 02 25 76 510
 FAX +39 02 25 52 365

Questo documento non può essere modificato senza l'approvazione dell' Organismo Notificato.
This document cannot be modified without approval of the Notified Body.



1 Istruzioni di sicurezza

Queste istruzioni devono essere conservate in luogo sicuro per future consultazioni.

Per personale esperto e qualificato in accordo alle Leggi nazionali, in accordo alle relative Norme e, dove applicabile, in accordo alla IEC-79-17 per costruzioni elettriche per atmosfere potenzialmente esplosive. Questa costruzione elettrica deve essere installata solo per l'utilizzo per il quale è destinata. Non è ammessa alcuna modifica alla costruzione elettrica. Rispettare le caratteristiche elettriche indicate sulla costruzione. Questa costruzione elettrica non è adatta per l'utilizzo in zona 0 e zona 20

1 Safety instructions

These operating instructions must be kept in safe place for later consultations.

For skilled and experienced personnel according with the national laws, the relevant standards and, where applicable, according with IEC-79-17 standards for electrical apparatus for potentially explosive atmospheres.

This electrical apparatus must be used for its intended purpose. No modifications to the electrical apparatus shall be allowed. Observe the electrical features indicated on the apparatus. This electrical apparatus is not suitable to be installed in zone 0 and zone 20

2 Conformità alle Norme

La costruzione elettrica è conforme a : Norme EN 50014, EN 50018, EN 50281-1-1 ed alla Direttiva 94/9/EC.

Componente per zona 1 e zona 2 (IEC 79-14 / CEI EN 60079-14).

Componente per zona 21 e zona 22 (custodie IP 66 con guarnizione) - (IEC 79-14 / CEI EN 60079-14).

2 Conformity with standards

The electrical apparatus meet the requirements of: Component for zone 1 and zone 2 (IEC 79-14 / CEI EN 60079-14).

Component for zone 21 and zone 22 (enclosures IP 66 with gasket) - (IEC 79-14 / CEI EN 60079-14).

3 Dati Tecnici – Technical data

Modo di protezione :	EEx d IIB	T6÷T4 (EN 50014)	II 2 G (Directive 94/9/EC)
Protection mode :	EEx d [ia] IIB / EEx d [ib] IIB	(EN 50020)	II 2(1) G (Directive 94/9/EC)
Grado di protezione :	IP 66 (EN 60529) con guarnizione opzionale		II 2 GD (Directive 94/9/EC)
Protection degree :	IP 66 (EN 60529) with optional gasket		II 2(1) GD (Directive 94/9/EC) T 80°C ÷ T 130°C (EN 50281-1-1)
Certificato del Componente :	KEMA 01ATEX2257		Temperatura immagazzinaggio [°C] : -20÷+40
Component Certificate :			Storage temperature [°C] :
Temperatura ambiente [°C] : -20 ÷ +40	Temperatura ambiente speciale [°C] :		-50 ÷ +60
Ambient temperature [°C] :	Special ambient temperature [°C] :		
Tensione nom. apparecchi [Vac] : 11 kV	Tensione nom. morsetti [Vac] : 800÷1000		Frequenza [Hz] : 50 ÷ 60 Hz
Rated voltage apparatuses [Vac] :	Terminals Rated voltage [Vac] :		Frequency [Hz] :
Tensione nom. [Vdc] : 250	Corrente nominale [A] : vedi tabella di pag. 2		Potenza max. dissipabile [W] :
Rated voltage [Vdc] :	Rated current [W] : see table of sheet 2		vedi tabella di pag. 2
			Max power dissipated [W] :
			see table of sheet 2
Tensione massima trasformatori di accensione [Vac] : 8000			Entrate di cavo : EEx d IIB (EN 50018)
Ignictor transformer maximum voltage [Vac] :			Cable entry : or EEx d IIC (EN 50018)

4 Installazione

La costruzione elettrica può essere installata solo se esente da danni. Rispettare le Norme nazionali in materia di costruzioni elettriche per atmosfera potenzialmente esplosiva. Utilizzare solo accessori forniti da CO.SI.ME. per l'installazione. Prima di chiudere la custodia, verificare che i giunti piani del corpo e coperchio siano esenti da corpi estranei e difetti. Per le custodie dotate di guarnizione, verificare che la stessa sia correttamente posizionata nella sede e sia esente da difetti. Sostituire le guarnizioni utilizzando parti di ricambio fornite da CO.SI.ME. Rispettare le coppie di serraggio del coperchio indicate in tabella di pagina 2.

Cavo di alimentazione richiesto per temperatura ambiente max. +60°C : temperatura di esercizio >=115°C.

Utilizzare cavo con isolamento idoneo alla tensione indicata sulla targa della custodia.

4 Installation

The apparatus shall be installed in absence of damages. Observe the national standards concerning electrical apparatus for potentially explosive atmospheres. Utilize the installation accessories supplied by CO.SI.ME. Before closing the enclosure, check that flanged joint were free of foreign matters and deformations. For enclosure with gasket, check that it were right installed inside the slot and free of defects. Replace gasket with spare parts supplied by CO.SI.ME. Respect torque of screws indicated in the table of sheet 2.

Conductors required for ambient temperature max. +60° : operating temperature >=115°C.

Use conductors with insulation suitable for the voltage indicated on the plate of the enclosure.



5 Manutenzione

Le sostituzioni di parti danneggiate o non funzionanti possono essere effettuate solo da personale esperto e qualificato con parti di ricambio fornite da CO.SI.ME. Non sono ammesse riparazioni della custodia.

5 Maintenance

Replacements of damaged or faulty parts must be carried out by skilled and experienced personnel with spare parts supplied by CO.SI.ME. Repairs on the enclosure are not allowed.



6 Eliminazione / Riciclaggio

L'eliminazione e riciclaggio del prodotto deve essere effettuata in accordo alle norme nazionali in materia di rifiuti.

ATTENZIONE : NON DISPERDERE IL PRODOTTO ED I SUOI COMPONENTI NELL'AMBIENTE.

6 Disposal / Recycling

Disposal and recycling of the product according to national regulations for waste disposal and recycling .

WARNING : DO NOT DISPOSE THE PRODUCT AND THE COMPONENTS IN THE ENVIROMENT.

Custodie tipo EJB con apparecchi
Enclosures type EJB with apparatus

REV	0	1	2	3	4
DATA	31/05/00				
EXE by	M.T.				
CHK by	F.C.				
APP by	M.T.				

Assistenza tecnica-Technical support
 +39 02 25 76 510
 FAX +39 02 25 52 365

Questo documento non può essere modificato senza l'approvazione dell' Organismo Notificato.
This document cannot be modified without approval of the Notified Body.

TEMPERATURA AMBIENTE MASSIMA +40°C – CLASSE T5
MAXIMUM AMBIENT TEMPERATURE +40°C – T5 CLASS

TEMPERATURA AMBIENTE MASSIMA +60°C – CLASSE T4
MAXIMUM AMBIENT TEMPERATURE +60°C – T4 CLASS

Codice Custodia Enclosure Code	Corrente Max. [A] Max. current [A]	Potenza max. dissipabile [W] Max. dissipable power [W]
EJB 544..	63	45
EJB 755..	160	75
EJB 1076..	250	100
EJB 1254..	200	90
EJB 1286..	300	130
EJB 14107..	450	180
EJB 17129..	630	290
EJB 17129B..	630	250
EJB 221410..	800	410
EJB 2886	500	260

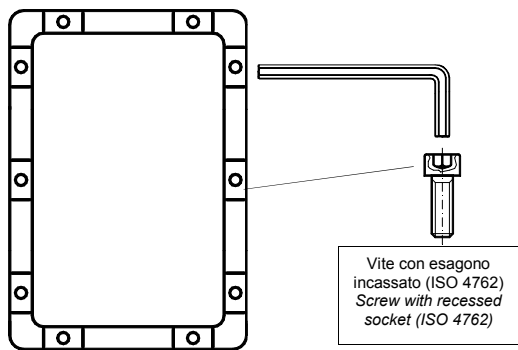
TEMPERATURA AMBIENTE MASSIMA +40°C – CLASSE T6
MAXIMUM AMBIENT TEMPERATURE +40°C – T6 CLASS

TEMPERATURA AMBIENTE MASSIMA +60°C – CLASSE T5
MAXIMUM AMBIENT TEMPERATURE +60°C – T5 CLASS

Codice Custodia Enclosure Code	Corrente Max. [A] Max. current [A]	Potenza max. dissipabile [W] Max. dissipable power [W]
EJB 544..	63	20
EJB 755..	160	30
EJB 1076..	250	45
EJB 1254..	200	40
EJB 1286..	300	60
EJB 14107..	450	85
EJB 17129..	630	140
EJB 17129B..	630	120
EJB 221410..	800	200
EJB 2886	500	125



Rispettare le caratteristiche elettriche indicate dai dati di targa e dalle specifiche allegate in funzione del tipo di apparecchio.
 Observe the electrical features indicated by the marked plate and by technical documents enclosed depending on internal apparatus.



Codice custodia Code of enclosure	Grandezza Viti Screws size	Coppia [Nm] Torque [Nm]	Peso max [Kg] Max Weight [Kg]	Volume interno max [litri] Max internal volume [litres]
EJB 544..	M5x20	10	2,6	1,4
EJB 755..	M6x20	15	4,6	2,6
EJB 1076..	M6x25	15	8,1	5,2
EJB 1254	M6x20	15	5,6	4,0
EJB 1286..	M8x30	30	13,5	10,6
EJB 14107..	M8x35	30	19,8	15,6
EJB 17129..	M10x40	50	39,4	37,6
EJB 221410..	M10x40	50	54,0	58,0
EJB 2886	M8x30	30	26,0	27,1